



Front Control ADA Dishwasher with QuadWash®

- QuadWash®
- EasyRack™ Plus
- Auto Open Dry
- 9 Wash Cycles & 7 Options
- LoDecibel™ Quiet Operation (48 dBA)
- Inverter Direct Drive™ Technology
- NeveRust™ Stainless Steel Tub
- LG ThinQ® Technology (Wi-Fi)



COLOR AVAILABILITY

- ADFD5448AT – Stainless Steel

CAPACITY

Total Place Settings	14
Upper Rack Dish Height Limit	8.5"
Lower Rack Dish Height Limit	11.8"

RACKS AND BASKETS

Cutlery Baskets	Yes
Cup Rack	Yes
Stemware Holder	Yes
Fold Down Tines	Yes (Full on Upper & Full on Lower)
BPA-Free Nylon Coated Racks and Tines	Yes
Rack Handle	Yes (Lower)
Smooth Operating Upper Rack	No
Smooth Operating Lower Rack	No
EasyRack™ Plus System	Yes
Height Adjustable Upper Rack	Yes
3rd Rack	No

STYLE AND DESIGN

Control Panel Location	Front Control
Electronic Controls	Fully Integrated Control Panel
SignalLight™ Cycle Indicator Lights	No
Time Remaining Indicator	Yes (LED)
Tub Material	NeveRust™ Stainless Steel
Tub Light	No
Handle	Pocket Handle
Fingerprint & Smudge Resistant Exterior	No

FEATURES

ADA Compliant	Yes
TrueSteam®	No
Wash System	QuadWash®
Inverter Direct Drive™ Motor	Yes
LoDecibel™ Quiet Operation	48 dBA
Number of Wash Cycles	9 (Auto, Heavy, Delicate, Normal, Turbo, Download Cycle, Machine Clean, Rinse, Express)
Number of Options	7 (Dual Zone, Half Load, Energy Saver, Extra Dry, Delay Start, Control Lock, High Temp.)
Number of Spray Arms	3 (Top, Upper, Lower)
SenseClean™ Wash System	Yes
Vario Wash	Yes
Detergent and Rinse-Aid Dispenser	Yes
Drying System	Auto Open Dry
End of Cycle Indicator	Yes (Beeper + END Indication on Display)
Hidden Water Heater	Yes
Safety Float Switch (Leaks)	Yes
Soil (Turbidity) Sensor	Yes
Balanced Door	Yes
3-Stage Filtration System	Yes
NSF®-Certified*	No

SMART FEATURES

Wi-Fi Enabled	Yes
ThinQ® Technology	Yes
ThinQ Care	No
Voice Control	Google Assistant, Amazon Alexa
SmartDiagnosis™	Yes
Remote Monitoring	Yes

TECHNICAL SPECS

ENERGY STAR® Certified	Yes
CEE Qualified	Tier 1
Energy Consumption (kWh / Year)	258
Water Factor (WF)	2.9
Electrical Requirements	120V, 60 Hz, 15 Amps
Power Outlet Location	Within 47" of Either Side
Power / Plug Type	3-Prong Power Cord Included
Drain Location	Within 12 ft. of Sink
Water Connection	3/4" Garden Hose, 90° (purchase separately)
Water Pressure (Min.–Max.)	20–80 psi
Inlet Water Temperature (Min.–Max.)	120°–149° F

DIMENSIONS / CLEARANCES / WEIGHTS

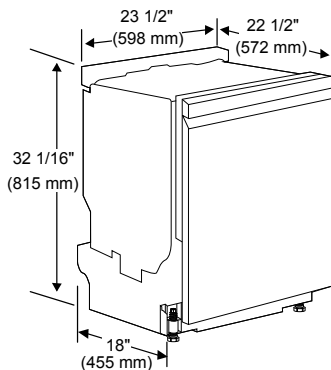
Product Dimensions (W x H x D)	23 1/2" x 32 1/16" x 22 1/2"
Depth with Door Closed, Including Handle	22 1/2"
Depth with Door Open	45 1/2"
Cutout Dimensions (W x H x D)	24" x 32 1/4" x 23 5/8"
Approx. Weight (Product / Carton)	84 lbs. / 95 lbs.
Carton Dimensions (W x H x D)	27 3/4" x 33 7/8" x 27 3/4"

LIMITED WARRANTY

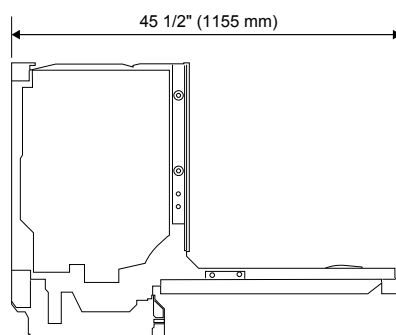
Labor	1 Year
Parts	1 Year
Control Board and Rack Parts	2 Years
Stainless Steel Door Liner or Tub	2 Years
Direct Drive Motor	10 Years

DIMENSIONS / CLEARANCES

Front View



Side View



INSTALLATION NOTES

- This dishwasher is designed to fit a standard dishwasher opening. An opening may be needed on both sides to route plumbing and electrical connections.
- Select a location as close to the sink as possible for easy connections to water supply line, drain hose and electrical connection.
- To ensure proper drainage, install the dishwasher no more than 12 ft. (3.65 m) from the sink.
- If an extension drain hose is required, use a 5/8" or 7/8" inside diameter, 2–3 ft. length hose and a coupler for connecting the two hose ends.
- The location must have sufficient space for the dishwasher door to open easily and provide at least 0.1" (2 mm) between the dishwasher and the cabinet sides.
- If installing the dishwasher in a corner, leave a minimum of 2" (50 mm) between the dishwasher and the adjacent wall.
- The adjacent wall must be free of obstructions.

